



Typical Application

Generator start

Characteristics

- 150A Contact switching capability
- A variety of working voltage
- Correspond to ROHD、ELV instructions

Performance Parameters

Min. Load	1A 6Vdc	Ambient Temperature	-40℃~ +75℃
Contact Material	AgSnO2	Relative Humidity	85% (40℃)
Contact Load (Res)	NO 150A , 28VDC	Insulation Resistance	≥10MΩ (500VDC)
Max. Continuous Current	150A (Normal Temperature)	Vibration	15Hz~200Hz 5.0G
Max. Switching Current	200A (Normal Temperature)	Shock	147m/s ² 11ms
Contact Resistance	≤200mΩ	Dielectric Strength	1 K Vac, 1min
Electrical Life	5×10 ⁵ times	Construction	Dust Cover
Mechanical Life	1×10 ⁷ times, 300times/minute	Weight	
Terminal Strength	9-12N*mm		

Ordering Mark Example

	QD150/	012	1	S	R	XXX
Relay Type:	150A					
Coil Voltage 012:12vdc 024:24vdc						
Shell Form 1、Dust-proof 2、Mounting Plate						
Package Form N: Non Plastic S: Plastic						
Parallel element R: Parallel Resistance D: Parallel Diode						
Special Requirements Mark						

Coil Parameters

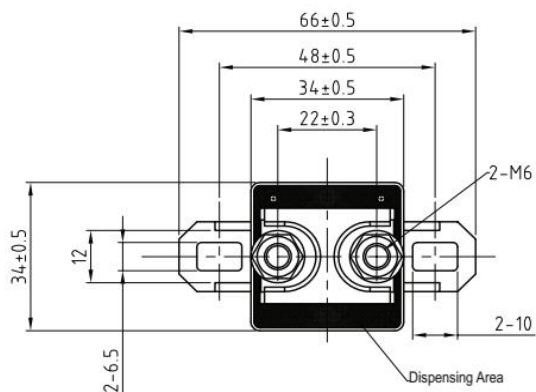
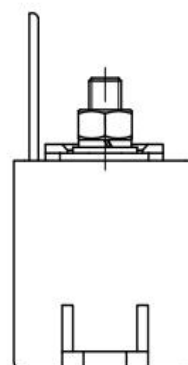
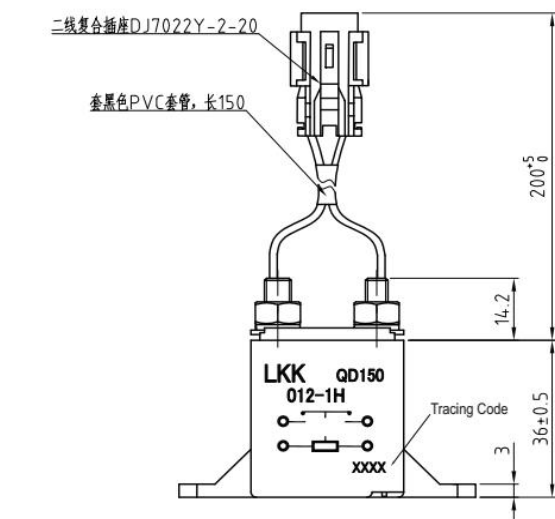
2/2

Specification Modle	Rated Voltage (V. d. c)	Pick up Voltage (V. d. c)	Release Voltage (V. d. c)	Coil Resistance±10 %	Rated Dissipation (W)	Maximum Voltage Allowed (V. d. c)
12	12	7.5	0.5	30	4.8	14
24	24	15	1	120	4.8	28

Load Parameters

Rated Voltage	Load Type	Contact Load Current (A)	On-off Ratio		Contact Material	Testing Ambient temp.
			Connect (S)	Break (S)		
24VDC	Resistance 28VDC Connect/Break	Normally Open Type 150	1	5	AgSn02In03	23°C

Outside View/Installation size



Wiring Diagram

