

Features

- Lamp load: 2(4) × 21W
- Flashing frequency: 70 to 90(c/min)
- Lamp outage frequency: 150 to 190(c/min)
- Dustproof structure

Typical Applications

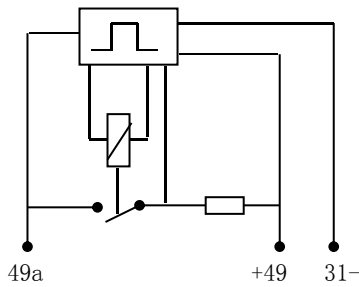
Turning Lamp and Flashing Lamp control.

CHARACTERISTICS

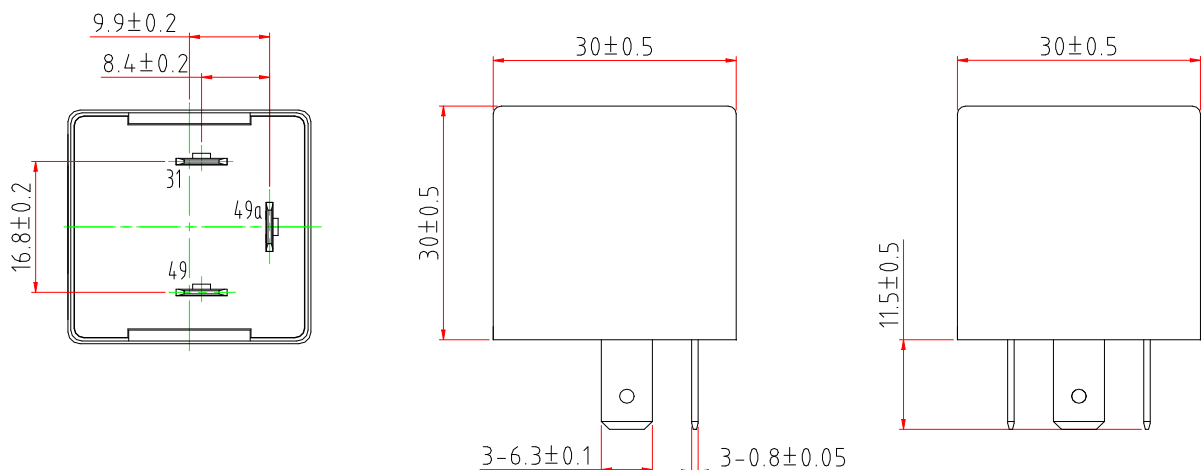
Ambient Temperature	-40°C to +85°C
Norminal voltage	12VDC
Load voltage Range	9VDC to 15VDC
Contact Rating	Lamp load: 2(4) × 21W
Oscillation Frequency	70 to 90(c/min)
Lamp outage frequency	150 to 190(c/min)
Duty Cycle	40% to 60%

Terminal Type	QC
Weight	32g
Oscillation	10 to 55 Hz 49m/s ² (5g)
Impulsion	200m/s ² (20g)
Electrical Life(continuous)	1000h(Lamp Load: 2 × 21W)
	360h(Lamp Load: 4 × 21W)

Wiring Diagram



Outline Dimensions





Features

- Lamp load: 2(4) × 21W
- Flashing frequency: 70 to 90(c/min)
- Dustproof structure

Typical Applications

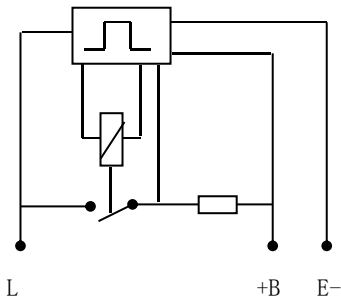
Turning Lamp and Flashing Lamp control.

CHARACTERISTICS

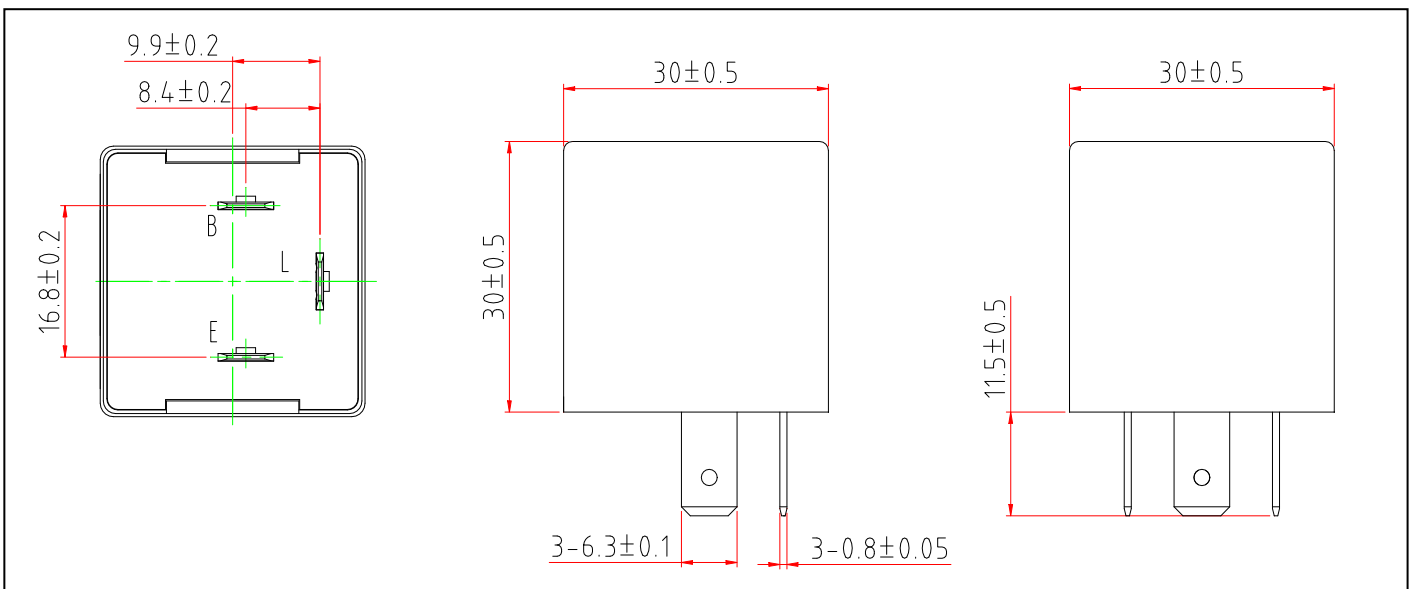
Ambient Temperature	-40°C to +85°C
Norminal voltage	12VDC
Load voltage Range	9VDC to 15VDC
Contact Rating	Lamp load: 2(4) × 21W
Oscillation Frequency	70 to 90(c/min)
Duty Cycle	40% to 60%

Terminal Type	QC
Weight	32g
Oscillation	10 to 200 Hz 49m/s ² (5g)
Impulsion	200m/s ² (20g)
Electrical Life (continuous)	1000h (Lamp Load: 2 × 21W)
	360h (Lamp Load: 4 × 21W)

Wiring Diagram



Outline Dimensions





Features

- Lamp load:2(4)×21W
- Flashing frequency:70 to 90(c/min)
- Lamp outage frequency:150 to 190(c/min)
- Dustproof structure

Typical Applications

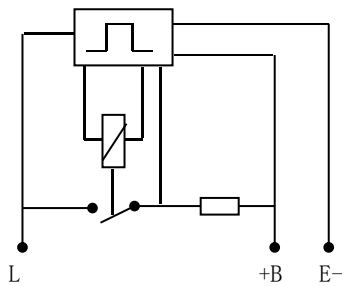
Turning Lamp and Flashing Lamp control.

CHARACTERISTICS

Ambient Temperature	-40℃ to +85℃
Norminal voltage	12VDC
Load voltage Range	9VDC to 15VDC
Contact Rating	Lamp load:2(4)×21W
Oscillagtion Frequency	70 to 90(c/min)
Lamp outage frequency	150 to 190(c/min)
Duty Cycle	40% to 60%

Terminal Type	QC
Weight	36g
Oscillation	10 to 200 Hz 49m/s ² (5g)
Impulsion	200m/s ² (20g)
Electrical Life(continuous)	1000h(Lamp Load:2×21W)
	360h(Lamp Load:4×21W)

Wiring Diagram



Outline Dimensions

