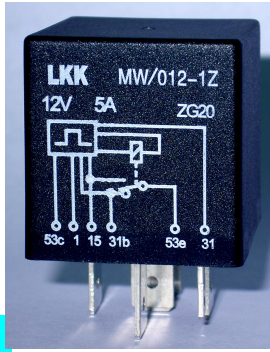


# LKK MW/012-1Z Automotive Wiper Controlling Relays



## Features

- Control automotive Wiper
- Motor load: 13.5V/5A
- Dustproof structure

## Typical Applications

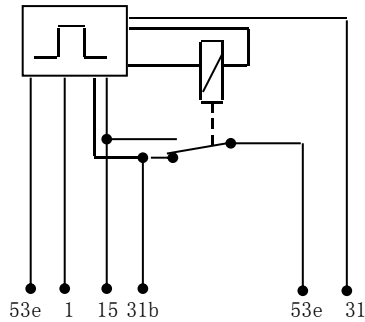
Wiper control

## CHARACTERISTICS

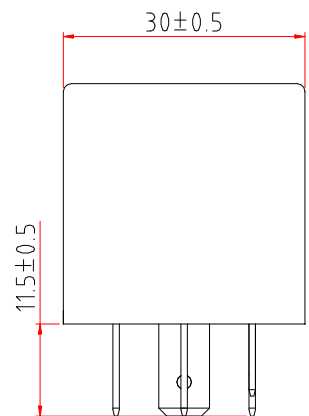
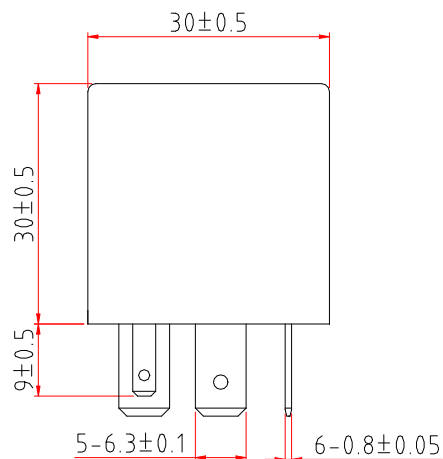
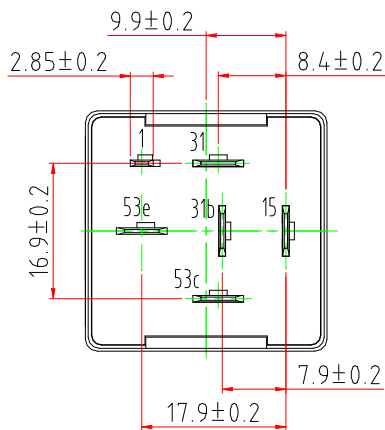
Ambient Temperature	-40°C to +85°C
Normal voltage	12VDC
Load voltage Range	9VDC to 15VDC
Contact Rating	Motor load: 13.5V/5A
Wiping Time	3.5±2.5s
Intermission Time	5.5±1.5s

Terminal Type	QC
Weight	34g
Oscillation	10 to 55 Hz 49m/s <sup>2</sup> (5g)
Impulsion	200m/s <sup>2</sup> (20g)
Electrical Life(continuous)	1×10 <sup>5</sup> ops

## Wiring Diagram



## Outline Dimensions



# LKK MW/024-1Z Automotive Wiper Controlling Relays



## Features

- Control automotive Wiper
- Motor load: 24V/5A
- Dustproof structure

## Typical Applications

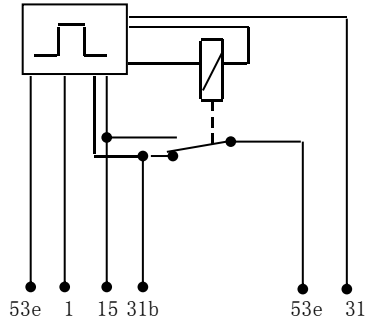
Wiper control

## CHARACTERISTICS

Ambient Temperature	-40°C to +85°C
Normal voltage	24VDC
Load voltage Range	20VDC to 28VDC
Contact Rating	Motor load: 24V/5A
Wiping Time	3.5±2.5s
Intermission Time	5.0±1.5s

Terminal Type	QC
Weight	34g
Oscillation	10 to 40 Hz 49m/s <sup>2</sup> (5g)
Impulsion	200m/s <sup>2</sup> (20g)
Electrical Life(continuous)	1×10 <sup>5</sup> ops

## Wiring Diagram



## Outline Dimensions

